

MGS GEARS S.r.L operates in all of the following sectors

STEEL WORKS

CEMENT PLANTS

SUGAR FACTORIES

WIND ENERGY

MINES

PAPER PLANTS

OTHER POWER TRANSMISSION PRODUCTS



01 Special Gear Couplings and Gear Spindles



02 Special Universal Shafts



03 Special Knuckle assembly



04 C type Special high torque universal shaft

Our engineering expertise allows us to meet all market needs and satisfy the various applications of mechanical power transmission with a wide range of products, including:

- Gearboxes, Speed Reducers and Increases
- Parallel Shaft and Bevel Helical
- Hollow Shaft Gearboxes
- Motor gearboxes
- Planetary Parallel Shaft Gearboxes Planetary
- Bevel Helical Gearboxes
- Toothed Couplings and Gear.

In addition to our wide range of products, we also offer:

- Spare parts for all types of gearboxes
- Sample gears based on the Customers' design or customized with our own design
- Gearboxes based on the Customers' design
- Revamping and adjustments on all types of gearboxes including other constructors' gearboxes
- Cylindrical straight gears and helical and double helical gears
- Klingelberg customized bevel gears finished by grinding or Gleason
- customized bevel gears finished by lapping or grinding.

Services

- Revisions, Repair, Reverse Engineering and Upgrading for Gearboxes, Speed Increaser, Planetary gearboxes of any type and brand. Gears.
- Torque monitoring with strain gauges
- On-site technical assistance delivered by our engineers during all phases of installation and start-up
- Monitoring through vibration tests, endoscopies, noisiness, temperature
- Lubricants analysis.



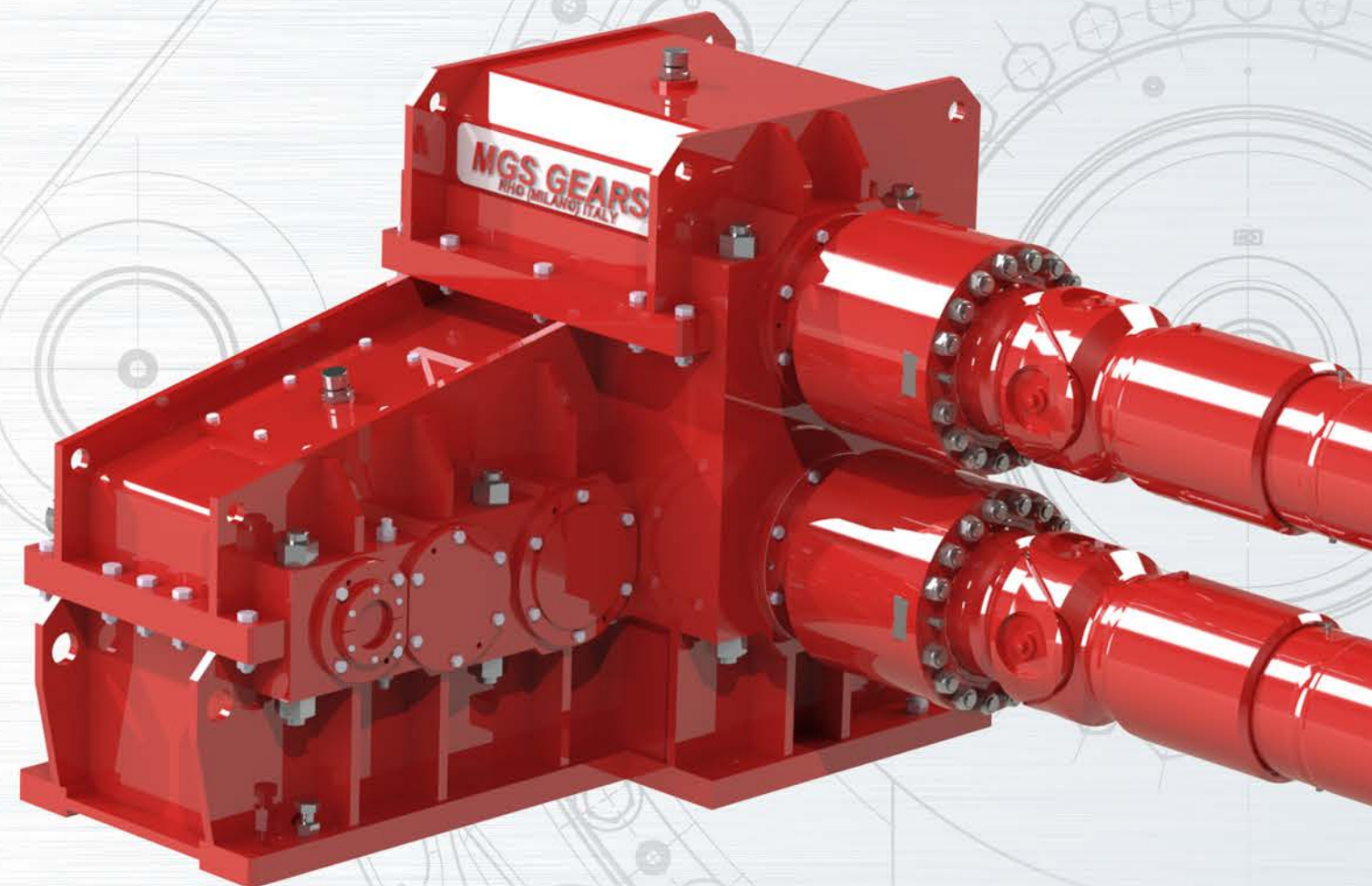
MGS GEARS S.r.L. Via Magenta, 77 Int.10 20017 Rho (Milano) Italy
tel. +39 02 9302124 / cel. +39 3315620117 / www.msgears.com

Argentina - Bolivia - Brazil - Canada - Chile - China - Colombia - Costa Rica - Dominican Republic
Ecuador - El Salvador - Guatemala - Honduras - Italy - Mexico - Nicaragua - Panama - Peru - Spain - USA



SPECIAL GEARS AND GEARBOXES

For the Steel Industry



MGS Gears Milan, Italy

Argentina - Bolivia - Brazil - Canada - Chile - China - Colombia - Costa Rica - Dominican Republic
Ecuador - El Salvador - Guatemala - Honduras - Italy - Mexico - Nicaragua - Panama - Peru - Spain - USA



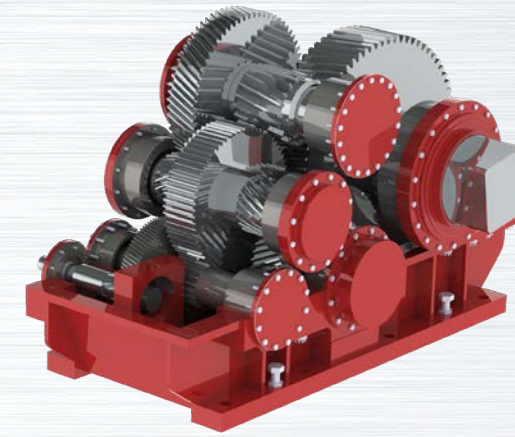


MGS GEARS S.r.L. is one of the lead power transmissions and gearboxes providers for all heavy industry sectors, offering over 30 years of experience in designing and manufacturing gearboxes and specialized mechanical components, all to suit the needs of each customer.

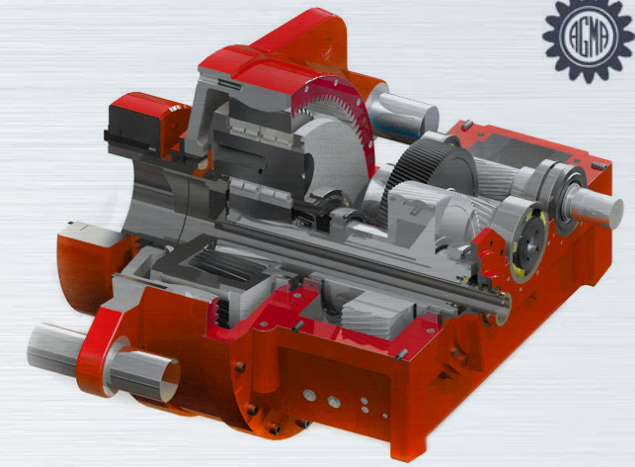
MGS GEARS S.r.L. is proud to be one of the 13 European members of the AGMA (“American Gear Manufacturers Association”) in Europe and its third member in Italy.

Gears and Gearbox design are carried out using the latest materials are subject to all necessary QC, including destructive and non-destructive testing, in order to ensure maximum reliability.

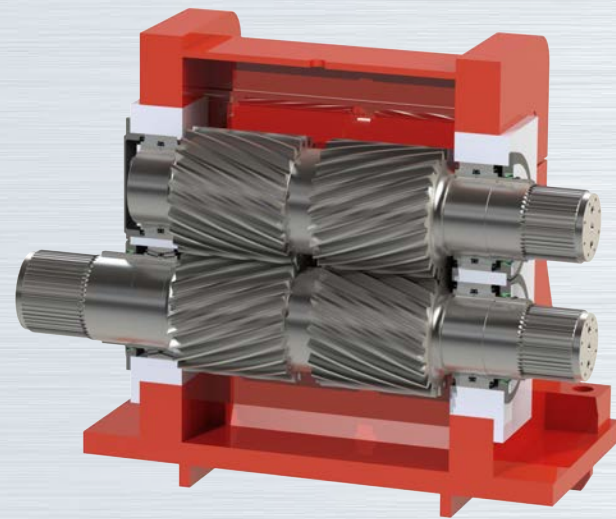
Materials, heat treatments, gear generation and grinding processes are done using the most advanced methods, protocols and QC tecnic in order to ensure maximum reliability.



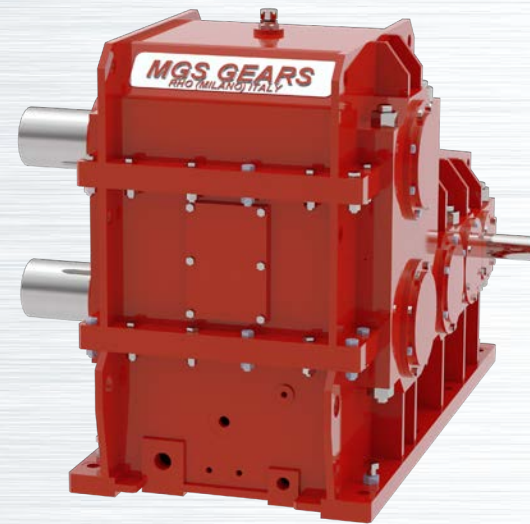
05 Special split torque gearbox



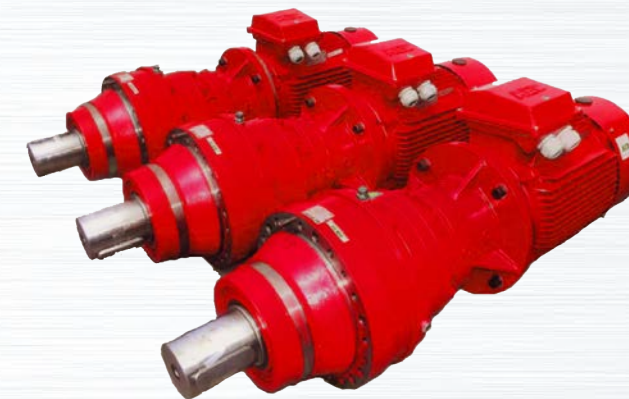
06 Planetary-helical special gearbox



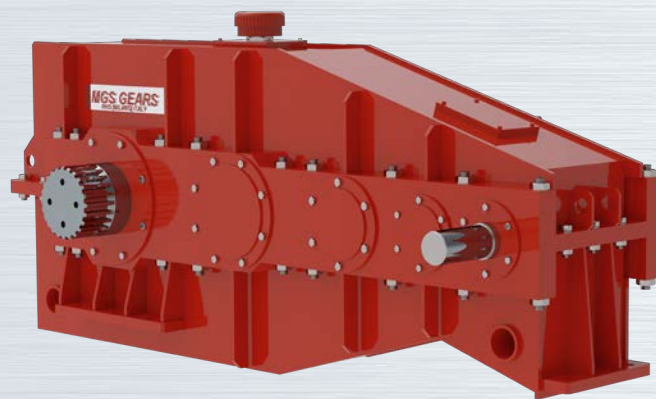
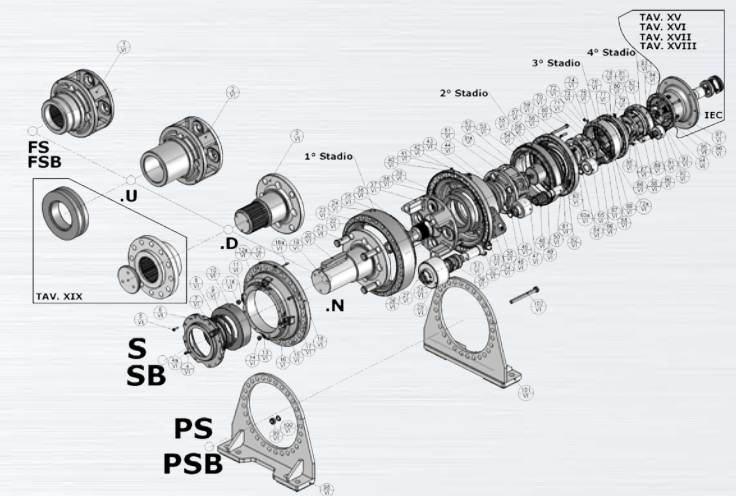
01 F0 pinion stand gearbox



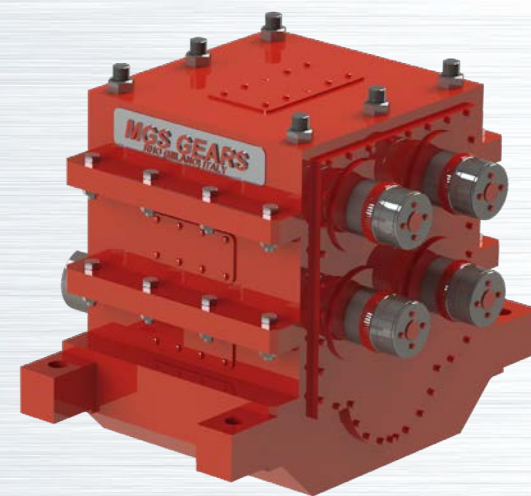
02 Duo gearbox



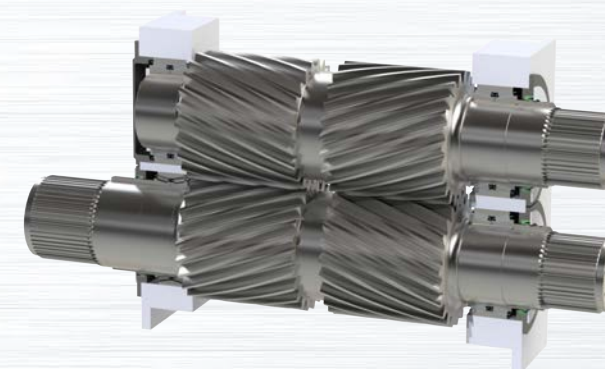
07 Planetary gearbox for roller ways



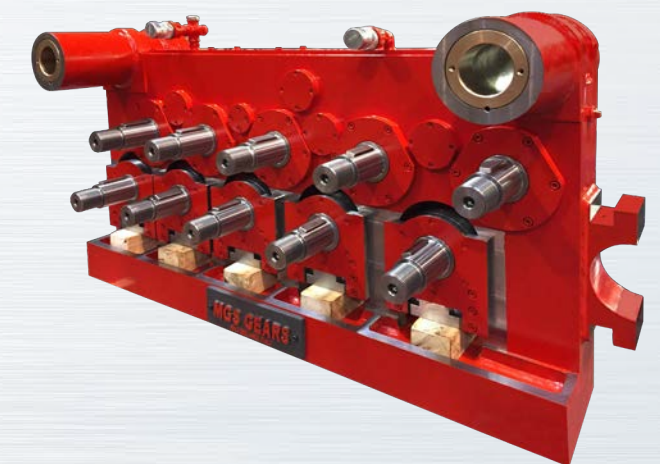
03 180 tons crane special gearbox



04 Zendimir gearbox



08 Pinion stand gears



09 Steel straightener gearbox